

PARTS LIST

[UX-V100]

* All printed circuit boards and its assemblies are not available as service parts.

Area suffix

UF ----- China
UP ----- Korea

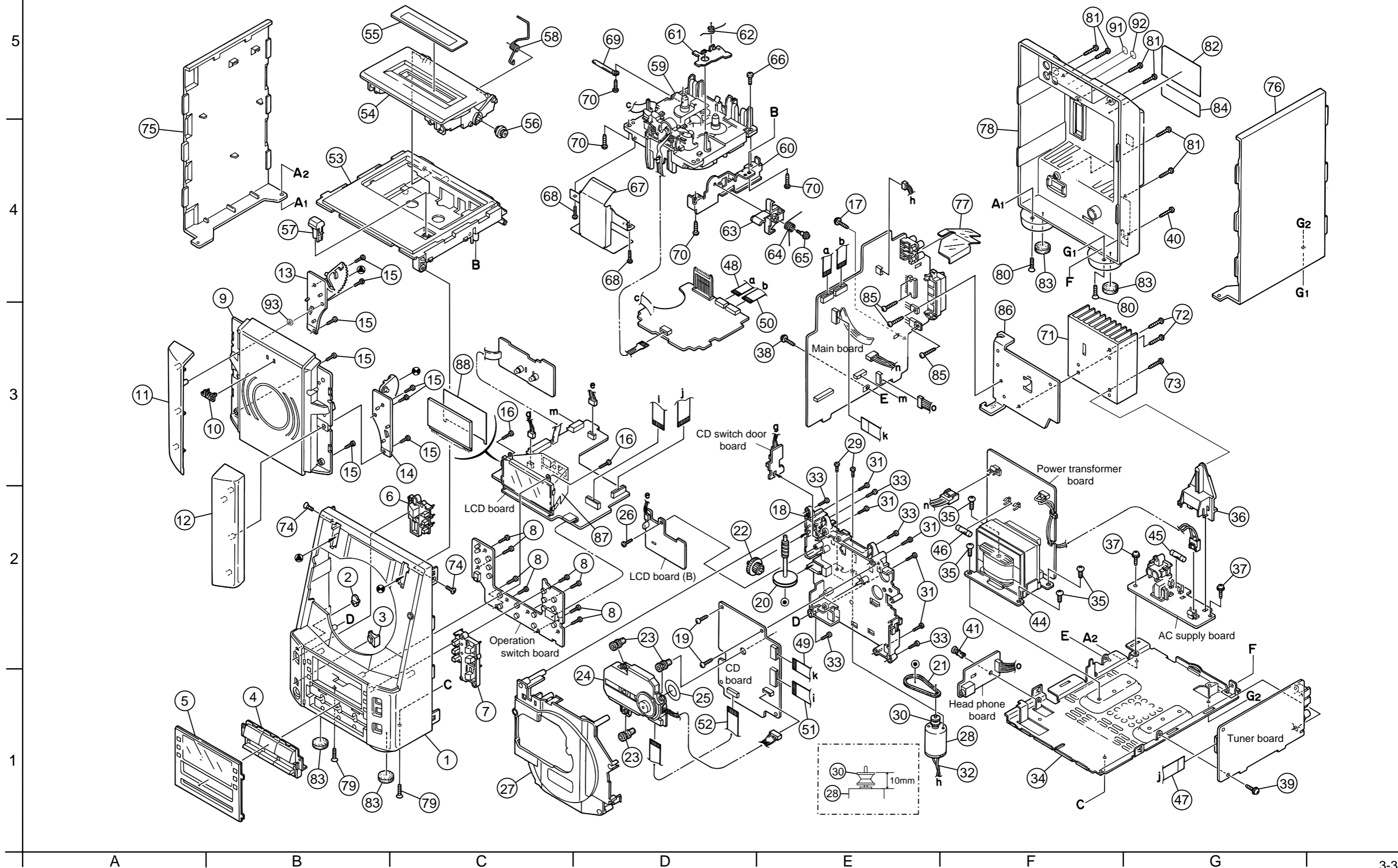
- Contents -

| | |
|--|------|
| Exploded view of general assembly and parts list (Block No.M1) | 3- 3 |
| Cassette mechanism assembly and parts list (Block No.MP) | 3- 5 |
| Electrical parts list (Block No.01~06) | 3- 7 |
| Packing materials and accessories parts list (Block No.M3,M5) | 3-16 |

< M E M O >

Exploded view of general assembly and parts list

Block No. M 1 M M



■ Parts list (General assembly)

Block No. M1MM

| △ | Item | Parts number | Parts name | Q'ty | Description | Area |
|---|------|----------------|-----------------|------|-----------------|------|
| | 1 | GV10020-016A | FRONT PANEL | 1 | | |
| | 2 | GV40067-001A | REMOTE LENS | 1 | | |
| | 3 | GV40068-001A | STANDBY LENS | 1 | | |
| | 4 | GV30060-003A | FRONT BUTTON AS | 1 | | |
| | 5 | GV40116-001A | FRONT LENS ASSY | 1 | | |
| | 6 | GV30063-001A | POWER BUTTON | 1 | | |
| | 7 | GV30064-001A | VOLUME BUTTON | 1 | | |
| | 8 | QYSDSF2608Z | SCREW | 8 | SW.PWB+FR.PANEL | |
| | 9 | GV20044-021A | CD DOOR LENS | 1 | | |
| | 10 | GV40077-001A | JVC BADGE | 1 | | |
| | 11 | GV30065-001A | CD DOOR PLATE(L | 1 | | |
| | 12 | GV30065-002A | CD DOOR PLATE(R | 1 | | |
| | 13 | GV30066-007A | CD DOOR HOLDER | 1 | DOOR LEFT | |
| | 14 | GV30066-002A | CD DOOR HOLDER | 1 | DOOR RIGHT | |
| | 15 | QYSDSF2006M | SCREW | 8 | CD DOOR ASSY | |
| | 16 | QYSDSF2608Z | SCREW | 2 | L.CASE+F.PANEL | |
| | 17 | QYSBSFG3008Z | T.SCREW | 1 | M.BOARD +IC HOL | |
| | 18 | GV20046-007A | CD CHASSIS | 1 | | |
| | 19 | QYSDSF2608Z | SCREW | 2 | CD PWB+CD CHASI | |
| | 20 | GV40072-003A | WORM PULLEY | 1 | | |
| | 21 | GV30038-001A | BELT | 1 | | |
| | 22 | GV40071-002A | GEAR | 1 | | |
| | 23 | GV40070-002A | INSULATOR | 3 | | |
| | 24 | KSM-770ABA | CD MECHA | 1 | | |
| | 25 | GV40122-002A | FOOT SPACER | 1 | STICK AT CD MEC | |
| | 26 | QYSDSF2608Z | SCREW | 1 | ILM PWB L+CD CH | |
| | 27 | GV20045-008A | CD CASE | 1 | | |
| | 28 | MXN-13FB12F | DC MOTOR ASS'Y | 1 | | |
| | 29 | QYSPSP3004Z | SCREW | 2 | MOTOR+CD CHASSI | |
| | 30 | VYH7699-001SS | PULLEY | 1 | | |
| | 31 | QYSDSF2608Z | SCREW | 5 | CD CHASSIS+CD C | |
| | 32 | WJM0112-001A | MOTOR WIRE | 1 | | |
| | 33 | QYSDSF2608Z | SCREW | 5 | CD CHASIS+F.PAN | |
| | 34 | GV10021-001A | BOTTOM CHASSIS | 1 | | |
| | 35 | QYSBST4006Z | T.SCREW | 4 | TRANS+B.CHASSIS | |
| | 36 | GV30073-001A | JACK HOLDER | 1 | | |
| | 37 | QYSBSTG3006Z | T.SCREW | 2 | AC J.PWB+B.CHAS | |
| | 38 | QYSBSTG3006Z | T.SCREW | 1 | M.BRD+B.CHASSIS | |
| | 39 | QYSBSTG3006Z | T.SCREW | 1 | TUNER PWB+B.CHA | |
| | 40 | QYSBSF3010N | TAP SCREW | 1 | TUNER TER+B.CHA | |
| | 41 | E310243-002 | PLASTIC RIVET | 1 | H.P PWB+B.CHASS | |
| △ | 44 | QQT0284-003 | POWER TRANSF | 1 | | |
| △ | 45 | QMF51E2-R63-J1 | FUSE | 1 | F901 | |
| △ | 46 | QMF51E2-6R3-J1 | FUSE | 1 | F902 | |
| | 47 | QUQ412-0908DJ | FFC WIRE | 1 | TUNER TO FMB | |
| | 48 | QUQ412-0924CJ | FFC WIRE | 1 | SLC TO MAIN | |
| | 49 | QUQ412-1022CJ | FFC WIRE | 1 | CD TO MAIN | |
| | 50 | QUQ412-1024CJ | FFC WIRE | 1 | SLC TO MAIN | |

■ Parts list (General assembly)

Block No. M1MM

| △ | Item | Parts number | Parts name | Q'ty | Description | Area |
|---|------|---------------|-----------------|------|-----------------|------|
| | 51 | QUQ412-1320CJ | FFC WIRE | 1 | CD TO FMB | |
| | 52 | QUQ110-1607BJ | FFC WIRE | 1 | PICK UP TO CD | |
| | 53 | GV10022-001A | TOP COVER | 1 | | |
| | 54 | GV20047-001A | CASSETTE DOOR | 1 | | |
| | 55 | GV40074-001A | CASSETTE LENS | 1 | | |
| | 56 | VYH7366-001MM | GEAR | 1 | | |
| | 57 | GV40073-001A | EJECT KNOB | 1 | | |
| | 58 | GV40085-002A | DOOR SPRING | 1 | | |
| | 59 | ----- | CASSETTE MECHA | 1 | | |
| | 60 | VYH3965-001 | SIDE BRACKET(R) | 1 | | |
| | 61 | VKL7850-002 | EJECT SAFTY(R) | 1 | | |
| | 62 | VKW5258-003 | TORSION SPRING | 1 | | |
| | 63 | VYH8146-012 | EJECT ARM(R) | 1 | | |
| | 64 | VKW3006-230 | TORSION SPRING | 1 | | |
| | 65 | VKZ4341-004 | SPECIAL SCREW | 1 | | |
| | 66 | QYSBSG3008Z | T.SCREW | 1 | SLC + SIDE BKT. | |
| | 67 | GV30071-001A | HEAD SHIELD | 1 | | |
| | 68 | QYSBSF2606Z | SCREW | 2 | H.SHIELD+SLC.ME | |
| | 69 | VKZ4001-110S | WIRE HOLDER | 1 | | |
| | 70 | QYSBSF3010Z | SCREW | 4 | SLC + TOP COVER | |
| | 71 | GV30068-002A | HEAT SINK | 1 | | |
| | 72 | QYSPSF3010Z | TAP SCREW | 2 | H.SINK+IC HOLDE | |
| | 73 | QYSPSF3010Z | TAP SCREW | 1 | H.SINK+ J.HOLDE | |
| | 74 | QYSSSF3008Z | SCREW | 2 | T.COVER+F.PANEL | |
| | 75 | GV20048-001A | SIDE PANEL (L) | 1 | | |
| | 76 | GV20048-002A | SIDE PANEL (R) | 1 | | |
| | 77 | GV40111-001A | PROTECT SHEET | 1 | | |
| | 78 | GV10023-010A | REAR PANEL | 1 | | |
| | 79 | QYSSST3010Z | SCREW | 2 | F.PANEL+B.CHASS | |
| | 80 | QYSSST3010Z | SCREW | 2 | R.PANEL+B.CHASS | |
| | 81 | QYSBSF3010N | TAP SCREW | 6 | REAR PANEL ASSE | |
| | 82 | GV30195-013A | NAME PLATE | 1 | | UP |
| | | GV30195-007A | NAME PLATE | 1 | | UF |
| | 83 | GV40091-001A | FOOT | 1 | | |
| | 84 | VND4118-004 | CAUTION LABEL | 1 | | |
| | 85 | QYSBSF3010Z | TAPPING SCREW | 4 | | |
| | 86 | GV30069-001A | IC HOLDER | 1 | | |
| | 87 | GV30070-002A | LAMP CASE | 1 | | |
| | 88 | GV40084-002A | LCD SHEET | 1 | | |
| | 91 | E409372-001 | CCEE LABEL | 1 | | UF |
| | 92 | LV41768-001A | CCIB LABEL | 1 | | UF |
| | 93 | LV30226-023A | SPACER | 1 | | UP |

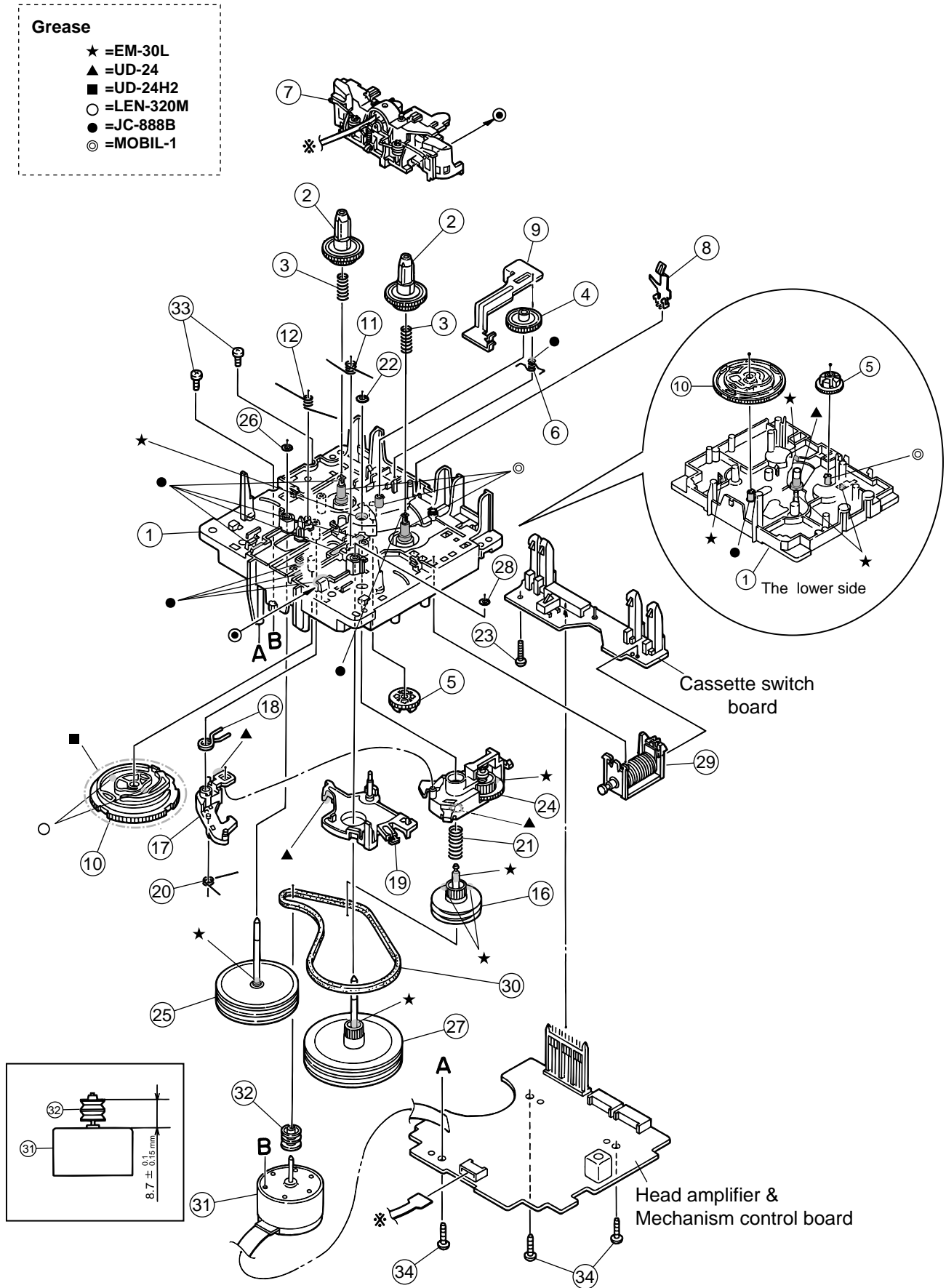
Cassette mechanism assembly and parts list

SLC-S11YPM

Block No. M P M M

Grease

- ★ =EM-30L
- ▲ =UD-24
- =UD-24H2
- =LEN-320M
- =JC-888B
- ◎ =MOBIL-1



■ Parts list (Cassette mechanism)

Block No. MPMM

| △ | Item | Parts number | Parts name | Q'ty | Description | Area |
|---|------|---------------|-----------------|------|-------------|------|
| | 1 | VKS1165-00J | CHASSIS B.ASS'Y | 1 | | |
| | 2 | VKS2274-002 | REEL GEAR | 2 | | |
| | 3 | VKW5286-002 | B.T. SPRING | 2 | | |
| | 4 | VKS5559-001 | PLAY IDLE GEAR | 1 | | |
| | 5 | VKS5597-00B | BLIND | 1 | | |
| | 6 | VKW5296-001 | EARTH SPRING | 1 | | |
| | 7 | SLC-RP1SVM | HEAD MOUNT ASSY | 1 | | |
| | 8 | VKY3149-002 | CASSETTE SP. | 1 | | |
| | 9 | VKM3906-002 | PLAY SW.LEVER | 1 | | |
| | 10 | VKS1166-003 | CONTROL CAM | 1 | | |
| | 11 | VKW5279-001 | HEAD BASE SP(R) | 1 | | |
| | 12 | VKW5280-001 | HEAD BASE SP(L) | 1 | | |
| | 16 | VKS5603-00G | MAIN PULLEY ASY | 1 | | |
| | 17 | VKS3785-001MM | FR ARM | 1 | | |
| | 18 | VKW5284-002 | SWING SPRING | 1 | | |
| | 19 | VKS2278-003 | TRIGGER ARM | 1 | | |
| | 20 | VKW5301-001 | FR SPRING | 1 | | |
| | 21 | VKW5266-001 | ELEVATOR SPRING | 1 | | |
| | 22 | WDL214025 | WASHER | 1 | | |
| | 23 | QYSBSF2005Z | T.SCREW | 1 | | |
| | 24 | VKS3786-00G | CLUTCH ASS'Y | 1 | | |
| | 25 | VKF3205-00B | F.WHEEL ASSY(R) | 1 | | |
| | 26 | WDL183425 | SLIT WASHER | 1 | | |
| | 27 | VKF3207-00B | F.WHEEL ASSY(L) | 1 | | |
| | 28 | WDL173525-6 | SLIT WASHER | 1 | | |
| | 29 | VKZ3174-00A | DC SOLENOID | 1 | | |
| | 30 | LV42234-001A | CAPSTAN BELT | 1 | | |
| | 31 | MSI-5U2LWA | D.C.MOTOR ASS'Y | 1 | | |
| | 32 | VKR4761-001 | MOTOR PULLEY | 1 | | |
| | 33 | QYSPSP2604Z | SCREW | 2 | | |
| | 34 | QYSBSF2608Z | T.SCREW | 3 | FOR P.W.B. | |

■ Electrical parts list (Main board)

Block No. 01

| △ | Item | Parts number | Parts name | Remarks | Area | △ | Item | Parts number | Parts name | Remarks | Area |
|---|-------|----------------|--------------|----------------|------|---|-------|----------------|--------------|---------------|------|
| | C 901 | QFLK1HJ-104Z | TF CAPACITOR | .10MF 5% 50V | | | C3301 | QETN1AM-476Z | E CAPACITOR | 47MF 20% 10V | |
| | C 902 | QFLK1HJ-104Z | TF CAPACITOR | .10MF 5% 50V | | | C3400 | QETN1HM-105Z | E CAPACITOR | 1.0MF 20% 50V | |
| | C 903 | QFLK1HJ-104Z | TF CAPACITOR | .10MF 5% 50V | | | C3401 | QETN1HM-105Z | E CAPACITOR | 1.0MF 20% 50V | |
| | C 904 | QFVF1HJ-104Z | MF CAPACITOR | .10MF 5% 50V | | | C3402 | QFLC1HJ-563Z | TF CAPACITOR | .056MF 5% 50V | |
| | CN301 | QGB1214J1-20S | CONNECTOR | MICON | | | C3403 | QFLC1HJ-563Z | TF CAPACITOR | .056MF 5% 50V | |
| | CN302 | QGB1214J1-14S | CONNECTOR | MICON | | | C3404 | QETN1HM-105Z | E CAPACITOR | 1.0MF 20% 50V | |
| | CN303 | QGF1205C1-10 | CONNECTOR | CD | | | C3405 | QETN1CM-106Z | E CAPACITOR | 10MF 20% 16V | |
| | CN304 | QGF1205F1-09 | CONNECTOR | SLC | | | C3406 | QETN1HM-105Z | E CAPACITOR | 1.0MF 20% 50V | |
| | CN305 | QGF1205F1-10 | CONNECTOR | SLC | | | C3500 | QETN1CM-107Z | E CAPACITOR | 100MF 20% 16V | |
| | CN306 | QGA2501C1-05 | 5P CONNECTOR | HEADPHONE | | | C3501 | QETN1EM-106Z | E CAPACITOR | 10MF 20% 25V | |
| | CN307 | QGA2501C1-02 | 2P CONNECTOR | CD DOOR | | | C3502 | QDYB1CM-103Y | C CAPACITOR | | |
| △ | CN901 | QGA7901C1-02 | CONNECTOR | | | | C3504 | QDGB1HK-102Y | C CAPACITOR | | |
| | CN902 | QGA3901C1-02 | CONNECTOR | | | | C3505 | QDGB1HK-102Y | C CAPACITOR | | |
| | C1101 | QCBB1HK-331Y | C CAPACITOR | 330PF 10% 50V | | | C3506 | QDGB1HK-102Y | C CAPACITOR | | |
| | C1102 | QFLM1HJ-104Z | M CAPACITOR | .10MF 5% 50V | | | C3507 | QDGB1HK-102Y | C CAPACITOR | | |
| | C1103 | QFLM1HJ-104Z | M CAPACITOR | .10MF 5% 50V | | | C3800 | EETC1HM-105ZJC | E CAPACITOR | | |
| | C1104 | QTE1V06-106Z | E CAPACITOR | | | | C9001 | EETC1CM-227ZJC | E CAPACITOR | | |
| | C1150 | QDGB1HK-102Y | C CAPACITOR | | | | C9002 | QDYB1CM-103Y | C CAPACITOR | | |
| | C1300 | QFLM1HJ-823Z | M CAPACITOR | .082MF 5% 50V | | | C9003 | QDXB1CM-222Y | C CAPACITOR | | |
| | C1301 | QFLM1HJ-823Z | M CAPACITOR | .082MF 5% 50V | | | C9201 | QETN1CM-476Z | E CAPACITOR | 47MF 20% 16V | |
| | C1302 | QTE1C06-226Z | E CAPACITOR | | | | C9202 | QDYB1CM-103Y | C CAPACITOR | | |
| | C1303 | QFVJ1HJ-274Z | MF CAPACITOR | .27MF 5% 50V | | | C9203 | QTE1V06-106Z | E CAPACITOR | | |
| | C1500 | QETN1EM-106Z | E CAPACITOR | 10MF 20% 25V | | | C9302 | QEKC1HM-475Z | E CAPACITOR | 4.7MF 20% 50V | |
| | C1501 | QFLM1HJ-272Z | M CAPACITOR | 2700PF 5% 50V | | | C9303 | QEKC1AM-107Z | E CAPACITOR | 100MF 20% 10V | |
| | C1502 | EETC1HM-475ZJC | E CAPACITOR | | | | C9401 | EEKC1AM-227ZJC | E CAPACITOR | | |
| | C1503 | QTE1V06-106Z | E CAPACITOR | | | | C9402 | EEKC1AM-107ZJC | E CAPACITOR | | |
| | C1504 | QFVF1HJ-104Z | MF CAPACITOR | .10MF 5% 50V | | | C9403 | QDYB1CM-103Y | C CAPACITOR | | |
| | C1505 | QFVF1HJ-104Z | MF CAPACITOR | .10MF 5% 50V | | | C9501 | EETC1AM-477ZJC | E CAPACITOR | | |
| | C1506 | QFLM1HJ-272Z | M CAPACITOR | 2700PF 5% 50V | | | △ | D 901 | 6A10E2 | SI DIODE | |
| | C1507 | EETC1HM-475ZJC | E CAPACITOR | | | | △ | D 902 | 6A10E2 | SI DIODE | |
| | C1508 | EETC1HM-475ZJC | E CAPACITOR | | | | △ | D 903 | 6A10E2 | SI DIODE | |
| | C1510 | QETN1EM-475Z | E CAPACITOR | 4.7MF 20% 25V | | | △ | D 904 | 6A10E2 | SI DIODE | |
| | C1600 | QCBB1HK-221Y | C CAPACITOR | 220PF 10% 50V | | | D3300 | MTZJ4.3B-T2 | ZENER DIODE | | |
| | C1800 | QETN1EM-475Z | E CAPACITOR | 4.7MF 20% 25V | | | D3400 | 1SS133-T2 | SI DIODE | | |
| | C2101 | QCBB1HK-331Y | C CAPACITOR | 330PF 10% 50V | | | D3401 | 1SS133-T2 | SI DIODE | | |
| | C2102 | QFLM1HJ-104Z | M CAPACITOR | .10MF 5% 50V | | | D3402 | 1SS133-T2 | SI DIODE | | |
| | C2103 | QFLM1HJ-104Z | M CAPACITOR | .10MF 5% 50V | | | D3403 | 1SS133-T2 | SI DIODE | | |
| | C2104 | QTE1V06-106Z | E CAPACITOR | | | | D3504 | 1SS133-T2 | SI DIODE | | |
| | C2150 | QDGB1HK-102Y | C CAPACITOR | | | | D3505 | 1SS133-T2 | SI DIODE | | |
| | C2300 | QFLM1HJ-823Z | M CAPACITOR | .082MF 5% 50V | | | D3800 | MTZJ6.8B-T2 | ZENER DIODE | | |
| | C2301 | QFLM1HJ-823Z | M CAPACITOR | .082MF 5% 50V | | | D9001 | 1SS133-T2 | SI DIODE | | |
| | C2302 | QTE1C06-226Z | E CAPACITOR | | | | D9002 | MTZJ8.2C-T2 | ZENER DIODE | | |
| | C2303 | QFVJ1HJ-274Z | MF CAPACITOR | .27MF 5% 50V | | | D9003 | MTZJ10A-T2 | ZENER DIODE | | |
| | C2500 | QETN1EM-106Z | E CAPACITOR | 10MF 20% 25V | | | D9101 | 1SR35-400A-T5 | DIODE | | |
| | C2501 | QFLM1HJ-272Z | M CAPACITOR | 2700PF 5% 50V | | | D9201 | MTZJ5.1C-T2 | ZENER DIODE | | |
| | C2502 | EETC1HM-475ZJC | E CAPACITOR | | | | D9301 | MTZJ3.9B-T2 | ZENER DIODE | | |
| | C2503 | QTE1V06-106Z | E CAPACITOR | | | | D9302 | 1SS133-T2 | SI DIODE | | |
| | C2504 | QFVF1HJ-104Z | MF CAPACITOR | .10MF 5% 50V | | | D9303 | 1SS133-T2 | SI DIODE | | |
| | C2505 | QFVF1HJ-104Z | MF CAPACITOR | .10MF 5% 50V | | | D9402 | MTZJ6.2A-T2 | Z.DIODE | | |
| | C2506 | QFLM1HJ-272Z | M CAPACITOR | 2700PF 5% 50V | | | D9501 | 1SS133-T2 | SI DIODE | | |
| | C2507 | EETC1HM-475ZJC | E CAPACITOR | | | | D9504 | MTZJ9.1C-T2 | Z DIODE | | |
| | C2508 | EETC1HM-475ZJC | E CAPACITOR | | | | EP901 | QNZ0136-001Z | EARTH PLATE | | |
| | C2510 | QETN1EM-475Z | E CAPACITOR | 4.7MF 20% 25V | | | EP902 | QNZ0136-001Z | EARTH PLATE | | |
| | C2600 | QCBB1HK-221Y | C CAPACITOR | 220PF 10% 50V | | | FW900 | QUM154-11Z4Z4 | FLAT WIRE | | |
| | C2800 | QETN1EM-475Z | E CAPACITOR | 4.7MF 20% 25V | | | △ | IC300 | LA4628 | IC | |
| △ | C3100 | QETM1EM-828 | E CAPACITOR | 8200MF 20% 25V | | | IC301 | BA15218N | IC | | |
| | C3101 | QFLM1HJ-104Z | M CAPACITOR | .10MF 5% 50V | | | IC302 | LC75342 | IC | | |
| | C3102 | EEKC1CM-107ZJC | E CAPACITOR | | | | IC303 | LB1641 | IC | | |
| | C3103 | QETN1CM-107Z | E CAPACITOR | 100MF 20% 16V | | | J 300 | QNB0090-001 | SPK TERMINAL | | |
| | C3104 | QETC1AM-336Z | E CAPACITOR | 33MF 20% 10V | | | J 301 | QNN0215-001 | PIN JACK | | |
| | C3105 | QETN1HM-225Z | E CAPACITOR | 2.2MF 20% 50V | | | J 302 | QNS0030-001 | JACK | | |
| | C3150 | QETN1EM-106Z | E CAPACITOR | 10MF 20% 25V | | | △ | J 901 | QNC0006-001 | AC INLET | |
| | C3300 | QETN1CM-476Z | E CAPACITOR | 47MF 20% 16V | | | K3800 | QUY150-050Y | BUS WIRE | | |

■ Electrical parts list (Main board)

Block No. 01

| △ | Item | Parts number | Parts name | Remarks | Area | △ | Item | Parts number | Parts name | Remarks | Area | |
|---|-------|----------------|--------------|--------------|------|---|-------|---------------|-----------------|--------------|----------|--|
| | K9100 | QUY150-050Y | BUS WIRE | | | | R2306 | QRE141J-622Y | C RESISTOR | 6.2K 5% 1/4W | | |
| | K9401 | QUY150-050Y | BUS WIRE | | | | R2307 | QRE141J-182Y | C RESISTOR | 1.8K 5% 1/4W | | |
| | L 901 | QQR1145-001 | LINE FILTER | | | | R2400 | QRE141J-223Y | C RESISTOR | 22K 5% 1/4W | | |
| | L9401 | QUY150-050Y | BUS WIRE | | | | R2401 | QRE141J-223Y | C RESISTOR | 22K 5% 1/4W | | |
| | PP900 | QZW0038-001 | WIRE CLAMP | | | | R2402 | QRE141J-103Y | C RESISTOR | 10K 5% 1/4W | | |
| | Q1150 | 2SC3576-JVC-T | TRANSISTOR | | | | R2501 | QRE141J-682Y | C RESISTOR | 6.8K 5% 1/4W | | |
| | Q1400 | KTC3199/GL/-T | TRANSISTOR | | | | R2503 | QRE141J-392Y | C RESISTOR | 3.9K 5% 1/4W | | |
| | Q1800 | KTC3199/GL/-T | TRANSISTOR | | | | R2508 | QRE141J-822Y | C RESISTOR | 8.2K 5% 1/4W | | |
| | Q2150 | 2SC3576-JVC-T | TRANSISTOR | | | | R2600 | QRE141J-303Y | C RESISTOR | 30K 5% 1/4W | | |
| | Q2400 | KTC3199/GL/-T | TRANSISTOR | | | | R2601 | QRE141J-303Y | C RESISTOR | 30K 5% 1/4W | | |
| | Q2800 | KTC3199/GL/-T | TRANSISTOR | | | | R2800 | QRE141J-912Y | C RESISTOR | 9.1K 5% 1/4W | | |
| | Q3150 | KRA101M-T | TRANSISTOR | | | | R2801 | QRE141J-272Y | C RESISTOR | 2.7K 5% 1/4W | | |
| | Q3800 | KRA101M-T | TRANSISTOR | | | | R2802 | QRE141J-222Y | C RESISTOR | 2.2K 5% 1/4W | | |
| △ | Q9001 | KTA1046/Y/ | TRANSISTOR | | | | R2803 | QRE141J-622Y | C RESISTOR | 6.2K 5% 1/4W | | |
| | Q9002 | KTC3199/GL/-T | TRANSISTOR | | | | R3100 | QRE141J-103Y | C RESISTOR | 10K 5% 1/4W | | |
| | Q9003 | KTA1267/YG/-T | TRANSISTOR | | | | R3300 | QRE141J-101Y | C RESISTOR | 100 5% 1/4W | | |
| | Q9004 | KRC114M-T | TRANSISTOR | | | | R3301 | QRE141J-152Y | C RESISTOR | 1.5K 5% 1/4W | | |
| | Q9005 | DTA144TS-T | D.TRANSISTOR | | | | R3400 | QRE141J-682Y | C RESISTOR | 6.8K 5% 1/4W | | |
| | Q9006 | KTC3199/GL/-T | TRANSISTOR | | | | R3401 | QRE141J-682Y | C RESISTOR | 6.8K 5% 1/4W | | |
| | Q9007 | KTC3199/GL/-T | TRANSISTOR | | | | R3402 | QRE141J-124Y | C RESISTOR | 120K 5% 1/4W | | |
| | Q9201 | KTB772/Y/ | TRANSISTOR | | | | R3403 | QRE141J-154Y | C RESISTOR | 150K 5% 1/4W | | |
| | Q9202 | KTC3199/GL/-T | TRANSISTOR | | | | R3404 | QRE141J-223Y | C RESISTOR | 22K 5% 1/4W | | |
| | Q9301 | KTA1267/YG/-T | TRANSISTOR | | | | R3405 | QRE141J-513Y | C RESISTOR | 51K 5% 1/4W | | |
| | Q9302 | KTC3199/GL/-T | TRANSISTOR | | | | R3500 | QRE141J-101Y | C RESISTOR | 100 5% 1/4W | | |
| | Q9402 | KTC3199/GL/-T | TRANSISTOR | | | | R3501 | QRE141J-222Y | C RESISTOR | 2.2K 5% 1/4W | | |
| | Q9403 | DTC114YS-T | TRANSISTOR | | | | R3502 | QRE141J-222Y | C RESISTOR | 2.2K 5% 1/4W | | |
| | Q9501 | 2SD2144S/VW/-T | TRANSISTOR | | | | R3503 | QRE141J-222Y | C RESISTOR | 2.2K 5% 1/4W | | |
| | R1100 | QRE141J-2R2Y | C RESISTOR | 2.2 5% 1/4W | | | R9001 | QRE141J-1R2Y | C RESISTOR | 1.2 5% 1/4W | | |
| | R1101 | QRE141J-2R2Y | C RESISTOR | 2.2 5% 1/4W | | | R9002 | QRE141J-1R2Y | C RESISTOR | 1.2 5% 1/4W | | |
| | R1102 | QRE141J-471Y | C RESISTOR | 470 5% 1/4W | | | R9003 | QRE141J-1R2Y | C RESISTOR | 1.2 5% 1/4W | | |
| | R1150 | QRE141J-472Y | C RESISTOR | 4.7K 5% 1/4W | | | R9004 | QRE141J-471Y | C RESISTOR | 470 5% 1/4W | | |
| | R1151 | QRE141J-682Y | C RESISTOR | 6.8K 5% 1/4W | | | R9005 | QRE141J-152Y | C RESISTOR | 1.5K 5% 1/4W | | |
| | R1200 | QRE141J-151Y | C RESISTOR | 150 5% 1/4W | | | R9006 | QRE141J-272Y | C RESISTOR | 2.7K 5% 1/4W | | |
| | R1300 | QRE141J-224Y | C RESISTOR | 220K 5% 1/4W | | | R9007 | QRE141J-681Y | C RESISTOR | 680 5% 1/4W | | |
| | R1301 | QRE141J-202Y | C RESISTOR | 2.0K 5% 1/4W | | | R9008 | QRE141J-682Y | C RESISTOR | 6.8K 5% 1/4W | | |
| | R1302 | QRE141J-222Y | C RESISTOR | 2.2K 5% 1/4W | | | △ | R9009 | QRZ9005-680X | F RESISTOR | 68 1/0W | |
| | R1303 | QRE141J-153Y | C RESISTOR | 15K 5% 1/4W | | | △ | R9010 | QRZ9005-680X | F RESISTOR | 68 1/0W | |
| | R1304 | QRE141J-153Y | C RESISTOR | 15K 5% 1/4W | | | △ | R9011 | QRZ9005-680X | F RESISTOR | 68 1/0W | |
| | R1305 | QRE141J-183Y | C RESISTOR | 18K 5% 1/4W | | | R9012 | QRE141J-472Y | C RESISTOR | 4.7K 5% 1/4W | | |
| | R1306 | QRE141J-622Y | C RESISTOR | 6.2K 5% 1/4W | | | R9013 | QRE141J-471Y | C RESISTOR | 470 5% 1/4W | | |
| | R1307 | QRE141J-182Y | C RESISTOR | 1.8K 5% 1/4W | | | R9014 | QRE141J-472Y | C RESISTOR | 4.7K 5% 1/4W | | |
| | R1400 | QRE141J-223Y | C RESISTOR | 22K 5% 1/4W | | | R9015 | QRE141J-472Y | C RESISTOR | 4.7K 5% 1/4W | | |
| | R1401 | QRE141J-223Y | C RESISTOR | 22K 5% 1/4W | | | R9016 | QRE141J-472Y | C RESISTOR | 4.7K 5% 1/4W | | |
| | R1402 | QRE141J-103Y | C RESISTOR | 10K 5% 1/4W | | | R9017 | QRE141J-103Y | C RESISTOR | 10K 5% 1/4W | | |
| | R1501 | QRE141J-682Y | C RESISTOR | 6.8K 5% 1/4W | | | R9018 | QRE141J-391Y | C RESISTOR | 390 5% 1/4W | | |
| | R1503 | QRE141J-392Y | C RESISTOR | 3.9K 5% 1/4W | | | △ | R9019 | QRZ9005-680X | F RESISTOR | 68 1/0W | |
| | R1508 | QRE141J-822Y | C RESISTOR | 8.2K 5% 1/4W | | | △ | R9100 | QRZ9006-4R7X | F RESISTOR | 4.7 1/0W | |
| | R1600 | QRE141J-303Y | C RESISTOR | 30K 5% 1/4W | | | R9201 | QRE141J-103Y | C RESISTOR | 10K 5% 1/4W | | |
| | R1601 | QRE141J-303Y | C RESISTOR | 30K 5% 1/4W | | | R9202 | QRE141J-103Y | C RESISTOR | 10K 5% 1/4W | | |
| | R1800 | QRE141J-912Y | C RESISTOR | 9.1K 5% 1/4W | | | R9203 | QRE141J-820Y | C RESISTOR | 82 5% 1/4W | | |
| | R1801 | QRE141J-272Y | C RESISTOR | 2.7K 5% 1/4W | | | R9301 | QUY150-050Y | BUS WIRE | | | |
| | R1802 | QRE141J-222Y | C RESISTOR | 2.2K 5% 1/4W | | | R9302 | QRE141J-333Y | C RESISTOR | 33K 5% 1/4W | | |
| | R1803 | QRE141J-622Y | C RESISTOR | 6.2K 5% 1/4W | | | R9303 | QRE141J-101Y | C RESISTOR | 100 5% 1/4W | | |
| | R2100 | QRE141J-2R2Y | C RESISTOR | 2.2 5% 1/4W | | | R9304 | QRE141J-390Y | C RESISTOR | 39 5% 1/4W | | |
| | R2101 | QRE141J-2R2Y | C RESISTOR | 2.2 5% 1/4W | | | R9403 | QRE141J-100Y | C RESISTOR | 10 5% 1/4W | | |
| | R2102 | QRE141J-471Y | C RESISTOR | 470 5% 1/4W | | | R9404 | QRE141J-6R8Y | C RESISTOR | 6.8 5% 1/4W | | |
| | R2150 | QRE141J-472Y | C RESISTOR | 4.7K 5% 1/4W | | | R9405 | QRE141J-391Y | C RESISTOR | 390 5% 1/4W | | |
| | R2151 | QRE141J-682Y | C RESISTOR | 6.8K 5% 1/4W | | | R9501 | QRE141J-471Y | C RESISTOR | 470 5% 1/4W | | |
| | R2200 | QRE141J-151Y | C RESISTOR | 150 5% 1/4W | | | W 300 | QJK015-021102 | WIRE | | | |
| | R2300 | QRE141J-224Y | C RESISTOR | 220K 5% 1/4W | | | W 301 | QJK008-051400 | SIN CR C-B WIRE | | | |
| | R2301 | QRE141J-202Y | C RESISTOR | 2.0K 5% 1/4W | | | △ | W 901 | WJK0070-001A | WIRE | | |
| | R2302 | QRE141J-222Y | C RESISTOR | 2.2K 5% 1/4W | | | △ | Z 901 | QNG0020-001Z | FUSE CLIP | | |
| | R2303 | QRE141J-153Y | C RESISTOR | 15K 5% 1/4W | | | △ | Z 902 | QNG0020-001Z | FUSE CLIP | | |
| | R2304 | QRE141J-153Y | C RESISTOR | 15K 5% 1/4W | | | △ | Z 903 | QNG0020-001Z | FUSE CLIP | | |
| | R2305 | QRE141J-183Y | C RESISTOR | 18K 5% 1/4W | | | △ | Z 904 | QNG0020-001Z | FUSE CLIP | | |

■ Electrical parts list (Micon board)

Block No. 02

| △ | Item | Parts number | Parts name | Remarks | Area | △ | Item | Parts number | Parts name | Remarks | Area |
|---|-------|----------------|----------------|-----------------|------|---|-------|-----------------|--------------|-------------|------|
| | BL701 | QLL0089-001 | PILOT LAMP | ORANGE LAMP | | | L7002 | QQL231K-100Y | INDUCTOR | | |
| | BL702 | QLL0089-001 | PILOT LAMP | ORANGE LAMP | | | L7003 | QQL231K-470Y | INDUCTOR | AVDD & VDD | |
| | CN711 | QGB1214K1-14S | CONNECTOR | TO MAIN PWB | | | L7005 | QQL231K-4R7Y | INDUCTOR | AVREF | |
| | CN712 | QGB1214K1-20S | CONNECTOR | TO MAIN PWB | | | Q7001 | 2SC2668/O-T | TRANSISTOR | CLOCK SHIFT | |
| | CN721 | QGA2001C1-03 | 3P PLUG ASSY | TO CD DOOR SW P | | | Q7002 | 2SC2668/O-T | TRANSISTOR | CLOCK SHIFT | |
| | CN732 | QGF1205C1-09 | CONNECTOR | TO TUNER PWB | | | Q7031 | 2SA1037AK/RS/-X | TRANSISTOR | SW5V | |
| | CN766 | QGF1205C1-13 | CONNECTOR | TO CD PWB | | | Q7051 | DTC114TKA-X | TRANSISTOR | RESET SW | |
| | CN781 | QGB1216J1-08S | CONNECTOR | TO FRONT SW PWB | | | Q7061 | 2SC2412K/R/-X | TRANSISTOR | BACKUP CONT | |
| | CN881 | QGB1216K1-08S | CONNECTOR | | | | Q7091 | 2SC2412K/R/-X | TRANSISTOR | POUT DRIVER | |
| | C7001 | NCS21HJ-180X | C CAPACITOR | | | | Q7601 | DTC144TKA-X | TRANSISTOR | | |
| | C7002 | NCS21HJ-180X | C CAPACITOR | | | | Q7602 | DTC144TKA-X | TRANSISTOR | | |
| | C7004 | NCS21HJ-360X | C CAPACITOR | | | | Q7603 | 2SC2412K/R/-X | TRANSISTOR | | |
| | C7005 | NCS21HJ-390X | C CAPACITOR | | | | Q8002 | DTA114TKA-X | D TRANSISTOR | | |
| | C7006 | NCS21HJ-200X | C CAPACITOR | | | | R7005 | NRSA02J-822X | MG RESISTOR | | |
| | C7007 | NCS21HJ-220X | C CAPACITOR | | | | R7006 | NRSA02J-822X | MG RESISTOR | | |
| | C7008 | NCB21HK-102X | C CAPACITOR | | | | R7031 | NRSA02J-331X | MG RESISTOR | | |
| | C7009 | NCB21HK-102X | C CAPACITOR | | | | R7032 | NRSA02J-103X | MG RESISTOR | | |
| | C7011 | EEKC1AM-107ZJC | E CAPACITOR | | | | R7033 | NRSA02J-102X | MG RESISTOR | | |
| | C7012 | NCB21HK-103X | C CAPACITOR | | | | R7051 | NRSA02J-103X | MG RESISTOR | | |
| | C7013 | QFVF1HJ-104Z | MF CAPACITOR | .10MF 5% 50V | | | R7052 | NRSA02J-103X | MG RESISTOR | | |
| | C7014 | EETC1CM-106ZJC | E CAPACITOR | | | | R7061 | NRSA02J-333X | MG RESISTOR | | |
| | C7031 | EETB0JM-228JC | E CAPACITOR | | | | R7062 | NRSA02J-473X | MG RESISTOR | | |
| | C7051 | QETN1HM-684Z | E CAPACITOR | .68MF 20% 50V | | | R7063 | NRSA02J-104X | MG RESISTOR | | |
| | C7052 | EETC1HM-225ZJC | E CAPACITOR | | | | R7081 | NRSA02J-104X | MG RESISTOR | | |
| | C7081 | NCB21CK-104X | C CAPACITOR | | | | R7082 | NRSA02J-104X | MG RESISTOR | | |
| | C7601 | NCS21HJ-151X | C CAPACITOR | | | | R7083 | NRSA02J-104X | MG RESISTOR | | |
| | C7602 | NCS21HJ-151X | C CAPACITOR | | | | R7084 | NRSA02J-273X | MG RESISTOR | | |
| | C7623 | NCS21HJ-101X | C CAPACITOR | | | | R7429 | NRSA02J-913X | MG RESISTOR | | |
| | C7624 | NCS21HJ-101X | C CAPACITOR | | | | R7430 | NRSA02J-102X | MG RESISTOR | | |
| | C7633 | NCB21HK-102X | C CAPACITOR | | | | R7528 | NRSA02J-223X | MG RESISTOR | | |
| | C7641 | NCS21HJ-151X | C CAPACITOR | | | | R7529 | NRSA02J-473X | MG RESISTOR | | |
| | C7701 | NCS21HJ-151X | C CAPACITOR | | | | R7530 | NRSA02J-103X | MG RESISTOR | | |
| | C7702 | NCS21HJ-151X | C CAPACITOR | | | | R7602 | NRSA02J-102X | MG RESISTOR | | |
| | C7704 | NCS21HJ-101X | C CAPACITOR | | | | R7614 | NRSA02J-103X | MG RESISTOR | | |
| | C7801 | NCB21HK-103X | C CAPACITOR | | | | R7615 | NRSA02J-103X | MG RESISTOR | | |
| | C7802 | NCB21HK-103X | C CAPACITOR | | | | R7619 | NRSA02J-122X | MG RESISTOR | | |
| | C7803 | NCB21HK-102X | C CAPACITOR | | | | R7620 | NRSA02J-102X | MG RESISTOR | | |
| | C7804 | NCB21HK-103X | C CAPACITOR | | | | R7621 | NRSA02J-122X | MG RESISTOR | | |
| | C7809 | NCB21HK-102X | C CAPACITOR | | | | R7622 | NRSA02J-102X | MG RESISTOR | | |
| | C7810 | NCB21HK-103X | C CAPACITOR | | | | R7625 | NRSA02J-823X | MG RESISTOR | | |
| | C8001 | NCB21HK-102X | C CAPACITOR | | | | R7628 | NRSA02J-823X | MG RESISTOR | | |
| | C8002 | QEK1CM-476Z | E CAPACITOR | 47MF 20% 16V | | | R7629 | NRSA02J-103X | MG RESISTOR | | |
| | C8003 | NCB21HK-103X | C CAPACITOR | | | | R7630 | NRSA02J-563X | MG RESISTOR | | |
| | C8011 | NCB21HK-103X | C CAPACITOR | | | | R7631 | NRSA02J-104X | MG RESISTOR | | |
| | D1701 | QLD0119-001 | LCD | 44 PIN LCD | | | R7632 | NRSA02J-103X | MG RESISTOR | | |
| | D7001 | 1SS133-T2 | SI DIODE | | | | R7633 | NRSA02J-103X | MG RESISTOR | | |
| | D7011 | MTZJ8.2B-T2 | DIODE | | | | R7634 | NRSA02J-103X | MG RESISTOR | | |
| | D7012 | 1SS133-T2 | SI DIODE | | | | R7635 | NRSA02J-104X | MG RESISTOR | | |
| | D7013 | 1SS133-T2 | SI DIODE | | | | R7639 | NRSA02J-222X | MG RESISTOR | | |
| | D7031 | 1SS133-T2 | SI DIODE | BACK UP | | | R7641 | NRSA02J-102X | MG RESISTOR | | |
| | D7032 | 1SS133-T2 | SI DIODE | CLOCK | | | R7642 | NRSA02J-102X | MG RESISTOR | | |
| | D7051 | 1SS133-T2 | SI DIODE | RESET | | | R7647 | NRSA02J-104X | MG RESISTOR | | |
| | D7061 | MTZJ5.1C-T2 | ZENER DIODE | BACK UP CONT. | | | R7648 | NRSA02J-394X | MG RESISTOR | | |
| | D7091 | 1SS133-T2 | SI DIODE | | | | R7649 | NRSA02J-823X | MG RESISTOR | | |
| | D7092 | 1SS133-T2 | SI DIODE | 5V-REMCON&STBLE | | | R7651 | NRSA02J-473X | MG RESISTOR | | |
| | D8003 | SLR-342VC-T | LED | RED LED | | | R7652 | NRSA02J-473X | MG RESISTOR | | |
| | IC701 | UPD78064GF-178 | IC | | | | R7655 | NRSA02J-102X | MG RESISTOR | | |
| | IC703 | KIA78S06P-T | IC | US6V REG | | | R7701 | NRSA02J-102X | MG RESISTOR | | |
| | IC801 | GP1U261X | IR DETECT UNIT | | | | R7702 | NRSA02J-102X | MG RESISTOR | | |
| | K7001 | NQR0006-001X | FERRITE BEAD | ICVSS | | | R7703 | NRSA02J-102X | MG RESISTOR | | |
| | K7002 | NQR0006-001X | FERRITE BEAD | AVSS | | | R7704 | NRSA02J-103X | MG RESISTOR | | |
| | K7004 | NQR0006-001X | FERRITE BEAD | SW GND | | | R7705 | NRSA02J-102X | MG RESISTOR | | |
| | K7005 | NQR0006-001X | FERRITE BEAD | VSS | | | R7711 | NRSA02J-222X | MG RESISTOR | | |

■ Electrical parts list (Micon board)

Block No. 02

| △ | Item | Parts number | Parts name | Remarks | Area |
|---|-------|--------------|-------------|--------------|------|
| | R7712 | NRSA02J-102X | MG RESISTOR | | |
| | R7713 | NRSA02J-222X | MG RESISTOR | | |
| | R7715 | NRSA02J-222X | MG RESISTOR | | |
| | R7716 | NRSA02J-222X | MG RESISTOR | | |
| | R7717 | NRSA02J-472X | MG RESISTOR | | |
| | R7718 | NRSA02J-102X | MG RESISTOR | | |
| | R7719 | NRSA02J-102X | MG RESISTOR | | |
| | R7720 | NRSA02J-102X | MG RESISTOR | | |
| | R7721 | NRSA02J-102X | MG RESISTOR | | |
| | R7722 | NRSA02J-102X | MG RESISTOR | | |
| | R7723 | NRSA02J-222X | MG RESISTOR | | |
| | R7724 | NRSA02J-222X | MG RESISTOR | | |
| | R7725 | NRSA02J-222X | MG RESISTOR | | |
| | R7726 | NRSA02J-222X | MG RESISTOR | | |
| | R7728 | NRSA02J-222X | MG RESISTOR | | |
| | R7729 | NRSA02J-222X | MG RESISTOR | | |
| | R7730 | NRSA02J-222X | MG RESISTOR | | |
| | R7731 | NRSA02J-222X | MG RESISTOR | | |
| | R7732 | NRSA02J-222X | MG RESISTOR | | |
| | R7733 | NRSA02J-222X | MG RESISTOR | | |
| | R7734 | NRSA02J-222X | MG RESISTOR | | |
| | R7735 | NRSA02J-222X | MG RESISTOR | | |
| | R7738 | NRSA02J-222X | MG RESISTOR | | |
| | R7739 | NRSA02J-222X | MG RESISTOR | | |
| | R7741 | NRSA02J-222X | MG RESISTOR | | |
| | R7742 | NRSA02J-222X | MG RESISTOR | | |
| | R7743 | NRSA02J-222X | MG RESISTOR | | |
| | R7744 | NRSA02J-222X | MG RESISTOR | | |
| | R7745 | NRSA02J-222X | MG RESISTOR | | |
| | R7747 | NRSA02J-222X | MG RESISTOR | | |
| | R7748 | NRSA02J-153X | MG RESISTOR | | |
| | R7749 | NRSA02J-123X | MG RESISTOR | | |
| | R7750 | NRSA02J-222X | MG RESISTOR | | |
| | R7799 | NRSA02J-102X | MG RESISTOR | | |
| | R8001 | NRSA02J-102X | MG RESISTOR | | |
| | R8002 | NRSA02J-102X | MG RESISTOR | | |
| | R8003 | NRSA02J-122X | MG RESISTOR | | |
| | R8005 | NRSA02J-473X | MG RESISTOR | | |
| | R8011 | NRSA02J-102X | MG RESISTOR | | |
| | R8012 | NRSA02J-102X | MG RESISTOR | | |
| | R8013 | NRSA02J-122X | MG RESISTOR | | |
| | R8014 | NRSA02J-152X | MG RESISTOR | | |
| | R8015 | NRSA02J-222X | MG RESISTOR | | |
| | R8016 | NRSA02J-272X | MG RESISTOR | | |
| | R8017 | NRSA02J-392X | MG RESISTOR | | |
| | R8018 | NRSA02J-562X | MG RESISTOR | | |
| | R8019 | NRSA02J-103X | MG RESISTOR | | |
| | R8020 | NRSA02J-183X | MG RESISTOR | | |
| | R8021 | NRSA02J-433X | MG RESISTOR | | |
| | R8031 | NRSA02J-681X | MG RESISTOR | | |
| | S8001 | QSW0674-001Z | TACT SWITCH | REVERSE MODE | |
| | S8002 | QSW0674-001Z | TACT SWITCH | REC | |
| | S8003 | QSW0674-001Z | TACT SWITCH | AUX | |
| | S8004 | QSW0674-001Z | TACT SWITCH | POWER | |
| | S8011 | QSW0674-001Z | TACT SWITCH | OPEN/CLOSE | |
| | S8012 | QSW0674-001Z | TACT SWITCH | VOLUME - | |
| | S8013 | QSW0674-001Z | TACT SWITCH | VOLUME + | |
| | S8014 | QSW0674-001Z | TACT SWITCH | AHB PRO | |
| | S8015 | QSW0674-001Z | TACT SWITCH | TIMER | |
| | S8016 | QSW0674-001Z | TACT SWITCH | CLOCK | |
| | S8017 | QSW0674-001Z | TACT SWITCH | CD | |
| | S8018 | QSW0674-001Z | TACT SWITCH | TUNER | |
| | S8019 | QSW0674-001Z | TACT SWITCH | TAPE | |

| △ | Item | Parts number | Parts name | Remarks | Area |
|---|-------|---------------|-----------------|--------------|------|
| | S8020 | QSW0674-001Z | TACT SWITCH | DOWN | |
| | S8021 | QSW0674-001Z | TACT SWITCH | STOP | |
| | S8022 | QSW0674-001Z | TACT SWITCH | UP | |
| | S8101 | QSW0451-001 | DETECT SWITCH | OPEN SWITCH | |
| | S8102 | QSW0451-001 | DETECT SWITCH | CLOSE SWITCH | |
| | W 701 | QUM154-12Z4Z4 | PARA RIBON WIRE | | |
| | W 821 | QJB002-032403 | WIRE ASSEMBLY | | |
| | X7001 | QAX0401-001 | CRYSTAL | SUB CLOCK | |
| | X7002 | QAX0410-001Z | CERA LOCK | MAIN CLOCK | |

■ Electrical parts list (CD board)

Block No. 03

| △ | Item | Parts number | Parts name | Remarks | Area | △ | Item | Parts number | Parts name | Remarks | Area |
|---|-------|----------------|----------------|----------------|------|---|-------|----------------|---------------|---------|------|
| | CN601 | QGF1201F3-13 | CONNECTOR | | | | IC602 | LA6541-X | IC | | |
| | CN602 | QGF1201F3-10 | CONNECTOR | | | | IC603 | MN35510AL | IC | | |
| | CN603 | QGF1016F1-16 | FFC/FPC CONNE | | | | K6051 | QQR0621-001Z | FERRITE BEADS | | |
| | CN605 | QGA2001C1-06 | 6P PLUG ASSY | | | | Q6001 | 2SA1037AK/R/-X | TRANSISTOR | | |
| | C6001 | QEKC0JM-107Z | E CAPACITOR | 100MF 20% 6.3V | | | Q6031 | 2SA952/LK/-T | TRANSISTOR | | |
| | C6002 | QEK1CM-106Z | E CAPACITOR | 10MF 20% 16V | | | R6001 | NRSA02J-123X | MG RESISTOR | | |
| | C6003 | NDC21HJ-3R5X | C CAPACITOR | | | | R6002 | NRSA02J-225X | MG RESISTOR | | |
| | C6005 | NCS21HJ-331X | C CAPACITOR | | | | R6003 | NRSA02J-102X | MG RESISTOR | | |
| | C6007 | NCB21HK-222X | C CAPACITOR | | | | R6005 | NRSA02J-274X | MG RESISTOR | | |
| | C6008 | QEK1HM-105Z | E CAPACITOR | 1.0MF 20% 50V | | | R6006 | NRSA02J-473X | MG RESISTOR | | |
| | C6009 | NCS21HJ-101X | C CAPACITOR | | | | R6007 | NRSA02J-273X | MG RESISTOR | | |
| | C6010 | NCB21HK-273X | C CAPACITOR | | | | R6008 | NRSA02J-564X | MG RESISTOR | | |
| | C6011 | NCB21HK-222X | C CAPACITOR | | | | R6009 | NRSA02J-563X | MG RESISTOR | | |
| | C6012 | NCB21HK-103X | C CAPACITOR | | | | R6010 | NRSA02J-104X | MG RESISTOR | | |
| | C6014 | NCB21EK-104X | C CAPACITOR | | | | R6012 | NRSA02J-103X | MG RESISTOR | | |
| | C6015 | NCB21HK-223X | C CAPACITOR | | | | R6013 | NRSA02J-121X | MG RESISTOR | | |
| | C6016 | NCB21HK-223X | C CAPACITOR | | | | R6014 | NRSA02J-100X | MG RESISTOR | | |
| | C6017 | NCB21HK-223X | C CAPACITOR | | | | R6015 | NRSA02J-120X | MG RESISTOR | | |
| | C6018 | NCB21HK-222X | C CAPACITOR | | | | R6016 | NRSA02J-910X | MG RESISTOR | | |
| | C6019 | NCS21HJ-271X | C CAPACITOR | | | | R6021 | NRSA02J-101X | MG RESISTOR | | |
| | C6020 | NCS21HJ-181X | C CAPACITOR | | | | R6022 | NRSA02J-101X | MG RESISTOR | | |
| | C6021 | NCS21HJ-821X | C CAPACITOR | | | | R6023 | NRSA02J-101X | MG RESISTOR | | |
| | C6022 | QEKC0JM-476Z | E CAPACITOR | 47MF 20% 6.3V | | | R6024 | NRSA02J-154X | MG RESISTOR | | |
| | C6023 | NCB21EK-104X | C CAPACITOR | | | | R6025 | NRSA02J-154X | MG RESISTOR | | |
| | C6028 | NCB21EK-473X | C CAPACITOR | | | | R6026 | NRSA02J-393X | MG RESISTOR | | |
| | C6029 | QEKC0JM-107Z | E CAPACITOR | 100MF 20% 6.3V | | | R6027 | NRSA02J-393X | MG RESISTOR | | |
| | C6031 | EEKC1AM-227ZJC | E CAPACITOR | | | | R6028 | NRSA02J-393X | MG RESISTOR | | |
| | C6032 | QEKC0JM-107Z | E CAPACITOR | 100MF 20% 6.3V | | | R6029 | NRSA02J-393X | MG RESISTOR | | |
| | C6051 | NDC21HJ-120X | C CAPACITOR | | | | R6031 | NRSA02J-0R0X | MG RESISTOR | | |
| | C6052 | NDC21HJ-150X | C CAPACITOR | | | | R6032 | NRSA02J-0R0X | MG RESISTOR | | |
| | C6053 | NCB21HK-223X | C CAPACITOR | | | | R6041 | NRSA02J-104X | MG RESISTOR | | |
| | C6055 | NCB21EK-473X | C CAPACITOR | | | | R6042 | NRSA02J-472X | MG RESISTOR | | |
| | C6058 | NCS21HJ-6R0X | C CAPACITOR | | | | R6043 | NRSA02J-392X | MG RESISTOR | | |
| | C6061 | NCS21HJ-471X | C CAPACITOR | | | | R6044 | NRSA02J-623X | MG RESISTOR | | |
| | C6062 | NCB21HK-223X | C CAPACITOR | | | | R6045 | NRSA02J-433X | MG RESISTOR | | |
| | C6063 | NCB21HK-223X | C CAPACITOR | | | | R6046 | NRSA02J-0R0X | MG RESISTOR | | |
| | C6064 | NCB21HK-223X | C CAPACITOR | | | | R6047 | NRSA02J-332X | MG RESISTOR | | |
| | C6065 | NCB21CK-334X | C CAPACITOR | | | | R6048 | NRSA02J-222X | MG RESISTOR | | |
| | C6071 | NCB21HK-222X | C CAPACITOR | | | | R6049 | NRSA02J-152X | MG RESISTOR | | |
| | C6072 | NCB21HK-222X | C CAPACITOR | | | | R6050 | NRSA02J-332X | MG RESISTOR | | |
| | C6073 | EEKC1AM-227ZJC | E CAPACITOR | | | | R6051 | NRSA02J-102X | MG RESISTOR | | |
| | C6074 | EEKC1AM-227ZJC | E CAPACITOR | | | | R6052 | NRSA02J-102X | MG RESISTOR | | |
| | C6075 | NCB21HK-102X | C CAPACITOR | | | | R6053 | NRSA02J-102X | MG RESISTOR | | |
| | C6076 | NCB21HK-102X | C CAPACITOR | | | | R6054 | NRSA02J-102X | MG RESISTOR | | |
| | C6077 | NCB21HK-223X | C CAPACITOR | | | | R6055 | NRSA02J-102X | MG RESISTOR | | |
| | C6080 | EEKC1AM-227ZJC | E CAPACITOR | | | | R6056 | NRSA02J-0R0X | MG RESISTOR | | |
| | C6081 | EEKC1AM-227ZJC | E CAPACITOR | | | | R6057 | NRSA02J-0R0X | MG RESISTOR | | |
| | C6083 | NCB21HK-223X | C CAPACITOR | | | | R6058 | NRSA02J-0R0X | MG RESISTOR | | |
| | C6089 | NCB21HK-472X | C CAPACITOR | | | | R6059 | NRSA02J-471X | MG RESISTOR | | |
| | C6090 | NCB21HK-153X | C CAPACITOR | | | | R6060 | NRSA02J-471X | MG RESISTOR | | |
| | C6091 | QEQF1HM-105Z | NP E CAPACITOR | 1.0MF 20% 50V | | | R6061 | NRSA02J-104X | MG RESISTOR | | |
| | C6092 | QEQF1HM-225Z | E CAPACITOR | 2.2MF 20% 50V | | | R6063 | NRSA02J-124X | MG RESISTOR | | |
| | C6094 | NCB21HK-104X | C CAPACITOR | | | | R6064 | NRSA02J-681X | MG RESISTOR | | |
| | C6096 | NCS21HJ-391X | C CAPACITOR | | | | R6066 | NRSA02J-220X | MG RESISTOR | | |
| | C6097 | NCS21HJ-391X | C CAPACITOR | | | | R6067 | NRSA02J-220X | MG RESISTOR | | |
| | C6098 | NCS21HJ-391X | C CAPACITOR | | | | R6068 | NRSA02J-220X | MG RESISTOR | | |
| | C6099 | NCS21HJ-391X | C CAPACITOR | | | | R6069 | NRSA02J-155X | MG RESISTOR | | |
| | C6154 | NCS21HJ-151X | C CAPACITOR | | | | R6071 | NRSA02J-102X | MG RESISTOR | | |
| | C6156 | NCS21HJ-151X | C CAPACITOR | | | | R6072 | NRSA02J-102X | MG RESISTOR | | |
| | C6157 | NCS21HJ-151X | C CAPACITOR | | | | R6076 | NRSA02J-0R0X | MG RESISTOR | | |
| | C6158 | NCS21HJ-151X | C CAPACITOR | | | | R6080 | NRSA02J-0R0X | MG RESISTOR | | |
| | D6061 | 1SS355-X | DIODE | | | | R6081 | NRSA02J-0R0X | MG RESISTOR | | |
| | D6062 | 1SS355-X | DIODE | | | | R6082 | NRSA02J-392X | MG RESISTOR | | |
| | D6063 | 1SS355-X | DIODE | | | | R6121 | NRSA02J-101X | MG RESISTOR | | |
| | IC601 | AN8806SB-W | IC | | | | X6051 | QAX0413-001Z | CRYSTAL | | |

■ Electrical parts list (Tuner board)

Block No. 04

| △ | Item | Parts number | Parts name | Remarks | Area |
|---|------|----------------|-----------------|---------------|------|
| | C 1 | NCB21HK-223X | C CAPACITOR | | |
| | C 2 | NCB21HK-103X | C CAPACITOR | | |
| | C 3 | EETC1CM-106ZJC | E CAPACITOR | | |
| | C 4 | NCB21HK-103X | C CAPACITOR | | |
| | C 6 | NCB21HK-102X | C CAPACITOR | | |
| | C 7 | NCB21HK-102X | C CAPACITOR | | |
| | C 8 | NCB21HK-102X | C CAPACITOR | | |
| | C 10 | NRSA02J-0R0X | MG RESISTOR | | |
| | C 11 | NCB21HK-104X | C CAPACITOR | | |
| | C 12 | NCB21HK-473X | C CAPACITOR | | |
| | C 13 | NCS21HJ-120X | C CAPACITOR | | |
| | C 14 | EEKC1AM-107ZJC | E CAPACITOR | | |
| | C 15 | NCS21HJ-120X | C CAPACITOR | | |
| | C 16 | NCS21HJ-120X | C CAPACITOR | | |
| | C 17 | NCB21HK-392X | C CAPACITOR | | |
| | C 18 | QEQ61HM-474Z | N.P.E CAPACITOR | .47MF 20% 50V | |
| | C 19 | NCB21HK-473X | C CAPACITOR | | |
| | C 20 | NCB21HK-102X | C CAPACITOR | | |
| | C 21 | NCB21HK-223X | C CAPACITOR | | |
| | C 22 | NCS21HJ-151X | C CAPACITOR | | |
| | C 23 | NCS21HJ-151X | C CAPACITOR | | |
| | C 24 | NCS21HJ-151X | C CAPACITOR | | |
| | C 25 | EEKC1AM-107ZJC | E CAPACITOR | | |
| | C 26 | NCB21HK-102X | C CAPACITOR | | |
| | C 27 | NCB21HK-102X | C CAPACITOR | | |
| | C 30 | EEKC1CM-107ZJC | E CAPACITOR | | |
| | C 31 | EEKC1CM-226ZJC | E CAPACITOR | | |
| | C 32 | NCB21HK-473X | C CAPACITOR | | |
| | C 33 | NCB21HK-473X | C CAPACITOR | | |
| | C 34 | NCB21HK-223X | C CAPACITOR | | |
| | C 35 | NCB21HK-473X | C CAPACITOR | | |
| | C 36 | EEKC1HM-105ZJC | E CAPACITOR | | |
| | C 37 | EEKC1HM-105ZJC | E CAPACITOR | | |
| | C 38 | EETC1HM-224ZJC | E CAPACITOR | | |
| | C 39 | EETC1HM-105ZJC | E CAPACITOR | | |
| | C 40 | QETN1CM-106Z | E CAPACITOR | 10MF 20% 16V | |
| | C 41 | QETN1CM-106Z | E CAPACITOR | 10MF 20% 16V | |
| | C 42 | NCB21HK-152X | C CAPACITOR | | |
| | C 43 | NCB21HK-152X | C CAPACITOR | | |
| | C 44 | QETN1CM-106Z | E CAPACITOR | 10MF 20% 16V | |
| | C 45 | QETN1CM-106Z | E CAPACITOR | 10MF 20% 16V | |
| | C 46 | NCB21HK-273X | C CAPACITOR | | |
| | C 47 | EETC1HM-105ZJC | E CAPACITOR | | |
| | C 48 | NCB21HK-222X | C CAPACITOR | | |
| | C 49 | NCS21HJ-471X | C CAPACITOR | | |
| | C 50 | EEKC1CM-226ZJC | E CAPACITOR | | |
| | C 51 | EEKC1HM-105ZJC | E CAPACITOR | | |
| | C 52 | QFVJ1HJ-274Z | MF CAPACITOR | .27MF 5% 50V | |
| | C 53 | EETC1CM-226ZJC | E CAPACITOR | | |
| | C 54 | NCB21HK-473X | C CAPACITOR | | |
| | C 57 | NCB21HK-102X | C CAPACITOR | | |
| | C 58 | NCB21HK-473X | C CAPACITOR | | |
| | C 59 | NCB21HK-102X | C CAPACITOR | | |
| | CF 1 | QAX0677-001Z | C FILTER | | |
| | CF 2 | QAX0677-001Z | C FILTER | | |
| | CF 3 | QAX0610-001Z | C DISCRIMINATOR | | |
| | CN 1 | QGF1205F1-09 | CONNECTOR | | |
| | D 1 | 1SS133-T2 | SI DIODE | | |
| | D 2 | 1SS133-T2 | SI DIODE | | |
| | D 3 | 1SS133-T2 | SI DIODE | | |
| | D 4 | 1SS133-T2 | SI DIODE | | |
| | D 11 | 1SS133-T2 | SI DIODE | | |
| | IC 1 | LA1838 | IC | | |

| △ | Item | Parts number | Parts name | Remarks | Area |
|---|------|----------------|--------------|------------|------|
| | IC 2 | LC72136N | IC | | |
| | J 1 | QNB0014-001 | ANT TERMINAL | | |
| | L 1 | QQR0796-002 | COIL BLOCK | | |
| | Q 1 | 2SC2814/4-5/-X | TRANSISTOR | | |
| | Q 5 | DTA114YKA-X | TRANSISTOR | | |
| | R 1 | QRE141J-560Y | C RESISTOR | 56 5% 1/4W | |
| | R 2 | NRSA02J-331X | MG RESISTOR | | |
| | R 3 | NRSA02J-224X | MG RESISTOR | | |
| | R 4 | NRSA02J-331X | MG RESISTOR | | |
| | R 5 | NRSA02J-560X | MG RESISTOR | | |
| | R 6 | NRSA02J-240X | MG RESISTOR | | |
| | R 10 | NRSA02J-222X | MG RESISTOR | | |
| | R 13 | NRSA02J-103X | MG RESISTOR | | |
| | R 14 | NRSA02J-104X | MG RESISTOR | | |
| | R 15 | NRSA02J-332X | MG RESISTOR | | |
| | R 16 | NRSA02J-472X | MG RESISTOR | | |
| △ | R 17 | QRZ9005-680X | F.RESISTOR | 68 1/4W | |
| | R 18 | NRSA02J-102X | MG RESISTOR | | |
| | R 19 | NRSA02J-102X | MG RESISTOR | | |
| | R 20 | NRSA02J-102X | MG RESISTOR | | |
| | R 21 | NRSA02J-562X | MG RESISTOR | | |
| | R 22 | NRSA02J-472X | MG RESISTOR | | |
| | R 23 | NRSA02J-182X | MG RESISTOR | | |
| | R 24 | NRSA02J-103X | MG RESISTOR | | |
| | R 25 | NRSA02J-331X | MG RESISTOR | | |
| | R 26 | NRSA02J-222X | MG RESISTOR | | |
| | R 27 | NRSA02J-103X | MG RESISTOR | | |
| | R 28 | NRSA02J-103X | MG RESISTOR | | |
| | R 29 | NRSA02J-103X | MG RESISTOR | | |
| | R 30 | NRSA02J-122X | MG RESISTOR | | |
| | R 31 | NRSA02J-102X | MG RESISTOR | | |
| | R 32 | NRSA02J-102X | MG RESISTOR | | |
| | R 33 | NRSA02J-331X | MG RESISTOR | | |
| | R 34 | NRSA02J-470X | MG RESISTOR | | |
| | R 35 | NRSA02J-562X | MG RESISTOR | | |
| | R 36 | NRSA02J-332X | MG RESISTOR | | |
| | R 37 | NRSA02J-103X | MG RESISTOR | | |
| | R 38 | NRSA02J-563X | MG RESISTOR | | |
| | R 39 | NRSA02J-563X | MG RESISTOR | | |
| | R 40 | NRSA02J-243X | MG RESISTOR | | |
| | R 41 | NRSA02J-332X | MG RESISTOR | | |
| | R 60 | NRSA02J-0R0X | MG RESISTOR | | |
| | T 1 | QQR0793-001 | IFT | | |
| | TU 1 | QAU0161-001 | FRONT END | | |
| | X 1 | QAX0402-001 | CRYSTAL | | |

■ Electrical parts list
(Head amplifier & mechanism conrl board)

Block No. 05

| Item | Parts number | Parts name | Remarks | Area | Item | Parts number | Parts name | Remarks | Area |
|-------|---------------|-----------------|----------------|------|-------|----------------|-----------------|----------------|------|
| C 101 | NCS21HJ-821X | C CAPACITOR | | | IC 33 | BU4094BCF-X | IC | | |
| C 102 | NCS21HJ-221X | C CAPACITOR | | | L 301 | QQR0620-001 | OSC COIL(BIAS) | | |
| C 103 | QEKJ0JM-227Z | E CAPACITOR | 220MF 20% 6.3V | | L 303 | QQL01BK-100Z | INDUCTOR | | |
| C 104 | NCB21HK-333X | C CAPACITOR | | | Q 101 | DTC114TKA-X | TRANSISTOR | | |
| C 105 | NCB21HK-222X | C CAPACITOR | | | Q 102 | DTC114TKA-X | TRANSISTOR | REC EQ CONT. | |
| C 106 | QEK41CM-106 | E CAPACITOR | 10MF 20% 16V | | Q 201 | DTC114TKA-X | TRANSISTOR | | |
| C 107 | NCS21HJ-561X | C CAPACITOR | | | Q 202 | DTC114TKA-X | TRANSISTOR | REC EQ CONT. | |
| C 108 | QEK41EM-475 | E CAPACITOR | 4.7MF 20% 25V | | Q 301 | DTA144EKA-X | TRANSISTOR | REC EQ CONT. | |
| C 109 | QEK41EM-475 | E CAPACITOR | 4.7MF 20% 25V | | Q 302 | 2SC2001/K/-T | TRANSISTOR | | |
| C 110 | NCB21HK-682X | C CAPACITOR | | | Q 303 | 2SC2001/K/-T | TRANSISTOR | | |
| C 111 | NCB21HK-122X | C CAPACITOR | | | Q 304 | 2SC2001/LK/-T | TRANSISTOR | | |
| C 112 | NCB21EK-683X | C CAPACITOR | | | Q 305 | 2SC2001/LK/-T | TRANSISTOR | | |
| C 113 | NCB21HK-222X | C CAPACITOR | | | Q 306 | 2SC2412K/RS/-X | CHIP TRANSISTOR | | |
| C 121 | NCS21HJ-331X | C CAPACITOR | | | Q 307 | 2SC2412K/RS/-X | CHIP TRANSISTOR | | |
| C 201 | NCS21HJ-821X | C CAPACITOR | | | Q 308 | 2SC2412K/RS/-X | CHIP TRANSISTOR | | |
| C 202 | NCS21HJ-221X | C CAPACITOR | | | Q 309 | 2SC2412K/RS/-X | CHIP TRANSISTOR | | |
| C 203 | QEKJ0JM-227Z | E CAPACITOR | 220MF 20% 6.3V | | Q 321 | DTC144EKA-X | TRANSISTOR | | |
| C 204 | NCB21HK-333X | C CAPACITOR | | | Q 323 | 2SC2412K/RS/-X | CHIP TRANSISTOR | | |
| C 205 | NCB21HK-222X | C CAPACITOR | | | Q 371 | 2SA952/LK/-T | TRANSISTOR | MOTER+B | |
| C 206 | QEK41CM-106 | E CAPACITOR | 10MF 20% 16V | | Q 372 | DTC124EKA-X | TRANSISTOR | | |
| C 207 | NCS21HJ-561X | C CAPACITOR | | | Q 375 | 2SB562/C/-T | TRANSISTOR | SOLENOID DRIVE | |
| C 208 | QEK41EM-475 | E CAPACITOR | 4.7MF 20% 25V | | Q 376 | 2SC2412K/RS/-X | CHIP TRANSISTOR | | |
| C 209 | QEK41EM-475 | E CAPACITOR | 4.7MF 20% 25V | | R 101 | NRSA63J-220X | MG RESISTOR | | |
| C 210 | NCB21HK-682X | C CAPACITOR | | | R 102 | NRSA63J-182X | MG RESISTOR | | |
| C 211 | NCB21HK-122X | C CAPACITOR | | | R 103 | NRSA63J-242X | MG RESISTOR | | |
| C 212 | NCB21EK-683X | C CAPACITOR | | | R 104 | NRSA63J-122X | MG RESISTOR | | |
| C 213 | NCB21HK-222X | C CAPACITOR | | | R 105 | NRSA63J-104X | MG RESISTOR | | |
| C 221 | NCS21HJ-331X | C CAPACITOR | | | R 106 | NRSA63J-332X | MG RESISTOR | | |
| C 301 | QEKJ1AM-107Z | E CAPACITOR | 100MF 20% 10V | | R 107 | NRSA63J-123X | MG RESISTOR | | |
| C 302 | NCB21HK-393X | C CAPACITOR | | | R 108 | NRSA63J-562X | MG RESISTOR | | |
| C 303 | QEKJ0JM-227Z | E CAPACITOR | 220MF 20% 6.3V | | R 109 | NRSA63J-122X | MG RESISTOR | | |
| C 304 | QEKJ1CM-226Z | E CAPACITOR | 22MF 20% 16V | | R 110 | NRSA63J-472X | MG RESISTOR | | |
| C 305 | QEKJ1CM-226Z | E CAPACITOR | 22MF 20% 16V | | R 111 | NRSA63J-333X | MG RESISTOR | | |
| C 306 | QEK41CM-476 | E CAPACITOR | 47MF 20% 16V | | R 112 | NRSA63J-222X | MG RESISTOR | | |
| C 307 | NCB21HK-103X | C CAPACITOR | | | R 113 | NRSA63J-472X | MG RESISTOR | | |
| C 308 | NCB21HK-562X | C CAPACITOR | | | R 114 | NRSA63J-272X | MG RESISTOR | | |
| C 309 | NCB21HK-562X | C CAPACITOR | | | R 116 | NRSA63J-102X | MG RESISTOR | | |
| C 310 | NCB21HK-223X | C CAPACITOR | | | R 121 | NRSA63J-102X | MG RESISTOR | | |
| C 311 | NCB21HK-682X | C CAPACITOR | | | R 201 | NRSA63J-220X | MG RESISTOR | | |
| C 313 | QEKJ1AM-107Z | E CAPACITOR | 100MF 20% 10V | | R 202 | NRSA63J-182X | MG RESISTOR | | |
| C 314 | QCZ0205-155Z | ML C CAPACITOR | 1.5MF | | R 203 | NRSA63J-242X | MG RESISTOR | | |
| C 315 | QCZ0205-155Z | ML C CAPACITOR | 1.5MF | | R 204 | NRSA63J-122X | MG RESISTOR | | |
| C 316 | QFG32AJ-103Z | PP CAPACITOR | .010MF 5% 100V | | R 205 | NRSA63J-104X | MG RESISTOR | | |
| C 318 | NCB21HK-103X | C CAPACITOR | | | R 206 | NRSA63J-332X | MG RESISTOR | | |
| C 319 | QFG32AJ-821Z | PP CAPACITOR | 820PF 5% 100V | | R 207 | NRSA63J-123X | MG RESISTOR | | |
| C 321 | NCB21HK-103X | C CAPACITOR | | | R 208 | NRSA63J-562X | MG RESISTOR | | |
| C 322 | QFG32AJ-152Z | PP CAPACITOR | 1500PF 5% 100V | | R 209 | NRSA63J-122X | MG RESISTOR | | |
| C 331 | QEK41CM-476 | E CAPACITOR | 47MF 20% 16V | | R 210 | NRSA63J-472X | MG RESISTOR | | |
| C 351 | QEK41CM-106 | E CAPACITOR | 10MF 20% 16V | | R 211 | NRSA63J-333X | MG RESISTOR | | |
| C 371 | QEK41EM-475 | E CAPACITOR | 4.7MF 20% 25V | | R 212 | NRSA63J-222X | MG RESISTOR | | |
| C 374 | QEKJ1AM-107Z | E CAPACITOR | 100MF 20% 10V | | R 213 | NRSA63J-472X | MG RESISTOR | | |
| C 375 | QEKJ1AM-107Z | E CAPACITOR | 100MF 20% 10V | | R 214 | NRSA63J-272X | MG RESISTOR | | |
| C 376 | NCB21HK-103X | C CAPACITOR | | | R 216 | NRSA63J-102X | MG RESISTOR | | |
| CN 31 | QGF1201F3-06 | CONNECTOR | PRI/HEAD | | R 221 | NRSA63J-102X | MG RESISTOR | | |
| CN 32 | QGB2011M1-10 | B TO B CONNECTO | PRI/MECHA | | R 301 | NRS181J-221X | MG RESISTOR | | |
| CN 33 | QGF1205F1-09 | CONNECTOR | PRI/MICON | | R 303 | NRSA63J-393X | MG RESISTOR | | |
| CN 34 | QGF1201F3-10 | CONNECTOR | PRI/AMP | | R 304 | NRS181J-101X | MG RESISTOR | | |
| D 301 | MA152WA-X | DIODE | | | R 305 | NRSA63J-222X | MG RESISTOR | | |
| D 309 | MA704A-X | S.K.DIODE | | | R 306 | NRSA63J-222X | MG RESISTOR | | |
| D 375 | MA3051/M/-X | ZENER DIODE | | | R 310 | NRS181J-560X | MG RESISTOR | 1/8W | |
| FW 31 | QUM024-06A2Z3 | PARA RIBON WIRE | | | R 311 | NRS181J-560X | MG RESISTOR | 1/8W | |
| IC 31 | BA3126N | IC | HEAD SW | | R 313 | NRSA63J-3R3X | MG RESISTOR | | |
| IC 32 | AN7317 | IC | PB&REC | | R 314 | NRSA63J-223X | MG RESISTOR | | |

■ Electrical parts list

(Head amplifier & mechanism conrl board)

Block No. 05

| △ | Item | Parts number | Parts name | Remarks | Area |
|---|-------|--------------|-----------------|----------------|------|
| | R 315 | NRSA63J-100X | MG RESISTOR | | |
| | R 316 | NRSA63J-223X | MG RESISTOR | | |
| | R 317 | NRSA63J-100X | MG RESISTOR | | |
| | R 319 | NRSA63J-152X | MG RESISTOR | | |
| | R 322 | NRSA63J-152X | MG RESISTOR | | |
| | R 327 | NRSA63J-474X | MG RESISTOR | | |
| | R 332 | NRSA63J-123X | MG RESISTOR | | |
| | R 333 | NRSA63J-123X | MG RESISTOR | | |
| | R 335 | NRSA63J-152X | MG RESISTOR | | |
| | R 336 | NRSA63J-472X | MG RESISTOR | | |
| | R 337 | NRSA63J-332X | MG RESISTOR | | |
| | R 338 | NRSA63J-392X | MG RESISTOR | | |
| | R 339 | NRSA63J-222X | MG RESISTOR | | |
| | R 340 | NRS181J-391X | MG RESISTOR | | |
| | R 341 | NRSA63J-123X | MG RESISTOR | | |
| | R 342 | NRSA63J-203X | MG RESISTOR | | |
| | R 343 | NRSA63J-183X | MG RESISTOR | | |
| | R 351 | NRSA63J-683X | MG RESISTOR | | |
| | R 352 | NRSA63J-912X | MG RESISTOR | | |
| | R 371 | NRSA63J-123X | MG RESISTOR | | |
| | R 372 | NRSA63J-102X | MG RESISTOR | | |
| | R 375 | NRSA02J-151X | MG RESISTOR | 1/8W | |
| | R 376 | NRSA63J-472X | MG RESISTOR | | |
| | VR 31 | QVP0008-503Z | SEMI.V.RESISTOR | BIAS ADJ | |
| | VR 32 | QVP0008-503Z | SEMI.V.RESISTOR | BIAS ADJ | |
| | VR 37 | QVP0008-103Z | SEMI.V.RESISTOR | TAPE SPEED ADJ | |

■ Electrical parts list (Cassette switch board)

Block No. 06

| △ | Item | Parts number | Parts name | Remarks | Area |
|---|------|---------------|-----------------|---------|------|
| | CN 1 | QGB2011L1-10 | B TO B CONNECTO | | |
| | D 1 | 1SR139-400-T2 | SI DIODE | | |
| | IC 1 | SG-105F3-BB,C | PHOTO SENSER | | |
| | P 1 | QNZ0104-001 | POST PIN | | |
| | SW 1 | QSW0832-001 | LEAF SWITCH | R.REC | |
| | SW 2 | QSW0832-001 | LEAF SWITCH | TAPE | |
| | SW 4 | QSW0832-001 | LEAF SWITCH | 70U | |
| | SW 5 | QSW0832-001 | LEAF SWITCH | F.REC | |
| | SW 6 | QSW0859-001 | DETECT SWITCH | | |

< MEMO >

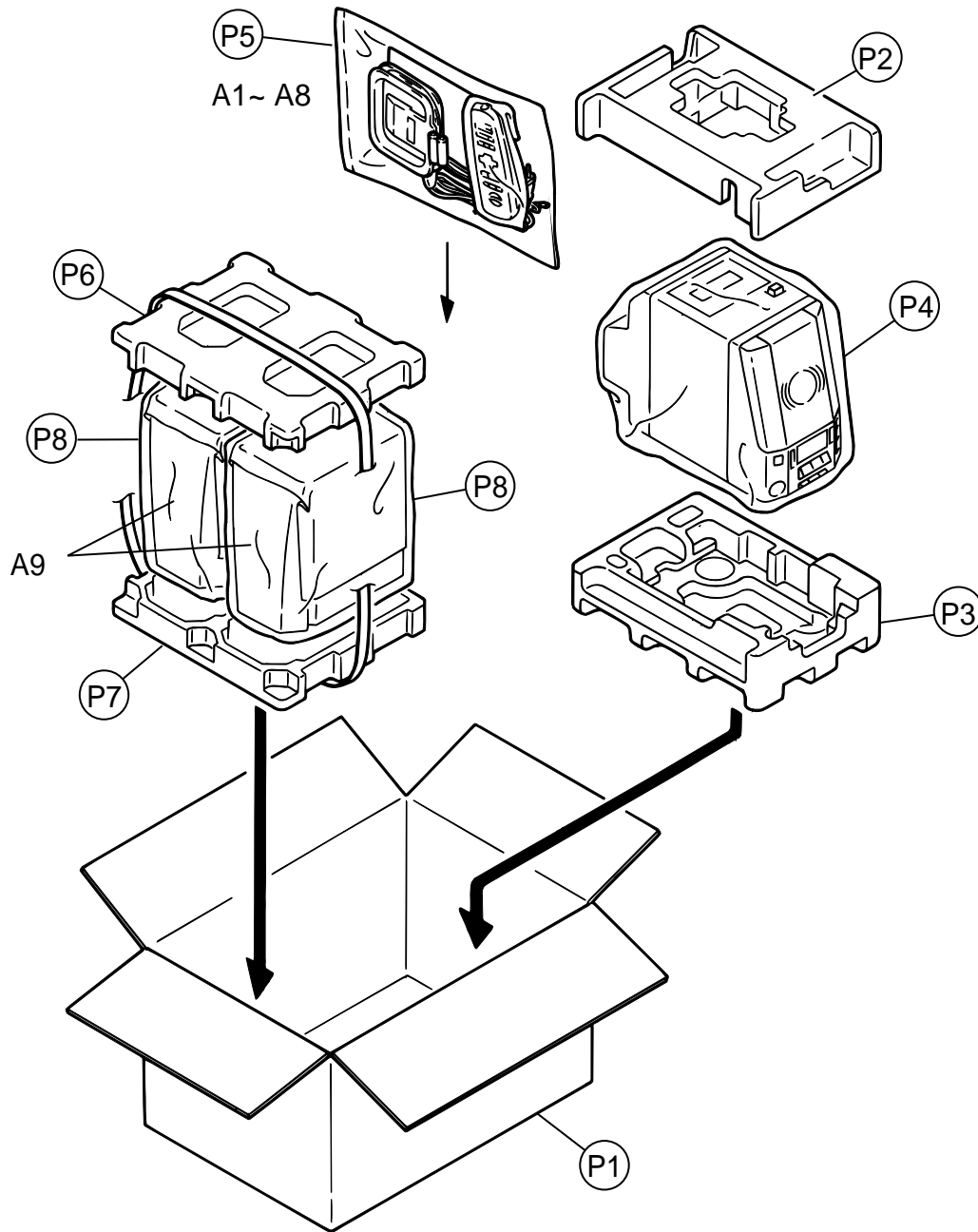
Packing materials and accessories parts list

Block No.

| | | | |
|---|---|---|---|
| M | 3 | M | M |
|---|---|---|---|

Block No.

| | | | |
|---|---|---|---|
| M | 5 | M | M |
|---|---|---|---|



Parts list (Packing)

Block No. M3MM

| △ | Item | Parts number | Parts name | Q'ty | Description | Area |
|---|------|--------------|----------------|------|-------------|------|
| | P 1 | GV20121-001A | CARTON ASSY | 1 | | |
| | P 2 | GV10038-001A | TOP CUSHION | 1 | | |
| | P 3 | GV10039-001A | BOTTOM CUSHION | 1 | | |
| | P 4 | GV30126-001A | POLYBAG | 1 | | |
| | P 5 | QPA02503503P | POLY BAG | 1 | | |
| | P 6 | 139763351046 | TOP CUSHION | 1 | FOR SPEAKER | |
| | P 7 | 139763351047 | BOTTOM CUSHION | 1 | FOR SPEAKER | |
| | P 8 | 138734501073 | POLY BAG | 2 | FOR SPEAKER | |

Parts list (Accessories)

Block No. M5MM

| △ | Item | Parts number | Parts name | Q'ty | Description | Area |
|---|------|----------------|-----------------|------|-------------|------|
| | A 1 | GVT0056-011A | INST BOOK | 1 | CHI | UF |
| | | GVT0056-004A | INST BOOK | 1 | KOR | UP |
| | A 2 | BT-59011-2 | WARRANTY CARD | 1 | | UF |
| | | BT-56010-1 | WARRANTY CARD | 1 | | UP |
| | A 3 | BT-59012-1 | SVC CENTER LIST | 1 | | UF |
| △ | A 4 | VMP0121-001 | POWER CORD | 1 | | UP |
| △ | | QMPS020-183-JC | POWER CORD | 1 | | UF |
| | A 5 | EWP503-001 | ANT.WIRE | 1 | | |
| | A 6 | QAL0014-001 | AM LOOP ANT | 1 | | |
| | A 7 | RM-SUXV10E | REMOCON | 1 | | |
| | A 8 | ----- | BATTERY | 2 | | |
| | A 9 | UXV100K-SPBOX | SPEAKER BOX | 2 | | |